

KITCHENWARE STATION

Wine Cooler User Manual



WF-32DS



WF-46DS



WF-164DS



--CONTENTS--

IMPORTANT SAFETY INFORMATION	1
DESCRIPTION OF APPLIANCE AND INSTALLATION	3
Single Zone Model: WF-34SS, Dual Zone Model: WF-32DS	3
Single Zone Model: WF-54SS, Dual Zone Model: WF-46DS	4
Single Zone Model: WF-175SS, Dual Zone Model: WF-164DS	5
LOCK & UNLOCK THE DOOR (FOR OPTION).....	6
DISPLAY SHELF (FOR OPTION)	6
OPERATING THE WINE COOLER	6
WORKING CLIMATE	6
WINE STORAGE.....	7
CONTROL PANEL	8
POWER ON/OFF CONTROL.....	9
UNLOCKING THE CONTROL PANEL.....	9
INTERIOR LIGHTING ON/OFF CONTROL	9
SELECTING FAHRENHEIT(°F) & CELSIUS (°C) DISPLAY.....	9
TEMPERATURE SETTING	10
TEMPERATURE DISPLAY WINDOW	11
CARE AND MAINTENANCE	12
CLEANING THE WINE COOLER.....	12
REMOVING THE SHELVES WF-46DS & WF-164DS.....	12
POWER FAILURE WF-32DS	12
POWER FAILURE.....	12
MOVING THE WINE COOLER	13
ENERGY SAVING TIPS.....	13
TROUBLESHOOTING	14
CUSTOMER CARE	15
LIMITED WARRANTY	16



- Please removed all packaging, stickers and films from the products surface and clean the product's surfaces with a damp cloth and mild detergent before using for the first time.
- Let the appliance stand upright for approximately **24** hours before connecting it to the power source, which helps to reduce the possibility of a cooling-system malfunction from handling during transportation.

IMPORTANT SAFETY INFORMATION

Before using the appliance, please properly position and install it as described in this manual. To avoid the risk of fire, electrical shock, or injury when using the appliance, follow these basic precautions:

- This appliance is for domestic purposes only and is intended to be used exclusively for the storage of sealed bottled wines and beverages.
- The appliance must be positioned so that the plug is accessible.
- Make sure the voltage/current marked on the rating label corresponds with your supply voltage. Plug into a grounded 3-pin outlet, do not remove grounding pin, do not use an adapter, and do not use an extension cord.
- **Do not** connect or disconnect the electric plug with wet hands.
- To disconnect the appliance, grip the plug and pull it from the wall outlet. Never pull out by the cord.
- It is recommended that a separate circuit, serving only your appliance be provided.
- Unplug the appliance or disconnect power before cleaning, maintenance or servicing. Failure to do so can result in electrical shock or death.
- If the supply cord is damaged, it must be replaced by the manufacturer or its service agent or a similarly qualified person in order to avoid a hazard.
- The fuse (or circuit breaker) size should be **10 amps** or higher.
- This appliance can be used by children aged from 8 years and persons with reduced physical, sensory or mental capabilities or lack of experience and knowledge if they have been given supervision or instruction concerning use of the appliance in a safe way and understand the hazards involved. Children shall not play with the appliance. Cleaning and user maintenance shall not be made by children without supervision.
- This appliance is not intended for use by persons (including children) with reduced physical, sensory or mental capabilities, or lack of experience and knowledge, unless they have been given supervision or instruction concerning use of the appliance by a person responsible for their safety.

Children should be supervised to ensure that they do not play with the appliance.

- To ensure proper ventilation for the appliance, the front of the unit must be completely unobstructed. Locate the unit away from direct sunlight and sources of heat (stove, heater, radiator, etc.).
- **Do not** attempt to repair or replace any part of the appliance unless it is specifically recommended in this manual. All other servicing should be referred to a qualified technician.
- Ensure enough peoples to move and install the appliance to avoid any damage to the appliance or injury to the peoples.
- It is important for the appliance to be leveled in order to work properly. You may adjust the appliance's feet to level it.
- Never clean the appliance parts with flammable fluids which may create a fire hazard or explosion. And do not store or use gasoline or other flammable vapors and liquids in the vicinity of the appliance.
- **Do not** use solvent-based cleaning agents or abrasives on the interior. These cleaners may damage or discolor the interior.
- **Do not** use this appliance for other than its intended purpose.
- **Do not** use electrical appliance inside the appliance.
- The use of attachments not recommended by the manufacturer may be hazardous.
- Please keep the products away from the fire or similar glowing substance before you dispose the appliance.
- GWP(Global Warming Potential): R600a=3
- When you dispose the appliance, take off the door and leave the shelves in place so that children may not easily climb inside. And make sure the coolant circuit, particularly the heat exchanger at the back/bottom of the unit is not be damaged.
-  The recycle symbol on the product or its packaging indicates that this product is not to be handled as normal household waste and it is to be taken to a  recycling collection point for electrical and electronic goods.

DESCRIPTION OF APPLIANCE AND INSTALLATION

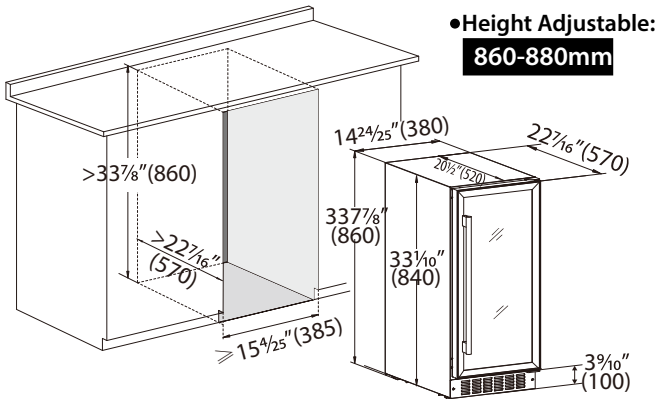
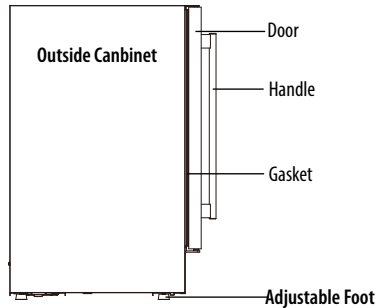
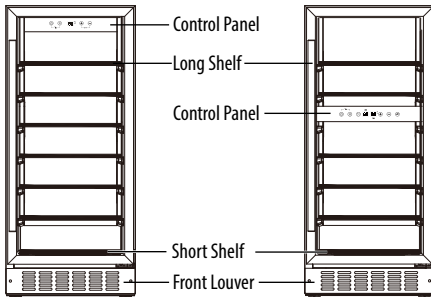
The following pictures only show description of appliance. The dimension and shelf quantity may differ among the models of the same series.

■ Single Zone Model: WF-34SS, Dual Zone Model: WF-32DS

Single Zone **34** Bottles

Dual Zone **32** Bottles

Single & Dual Zone

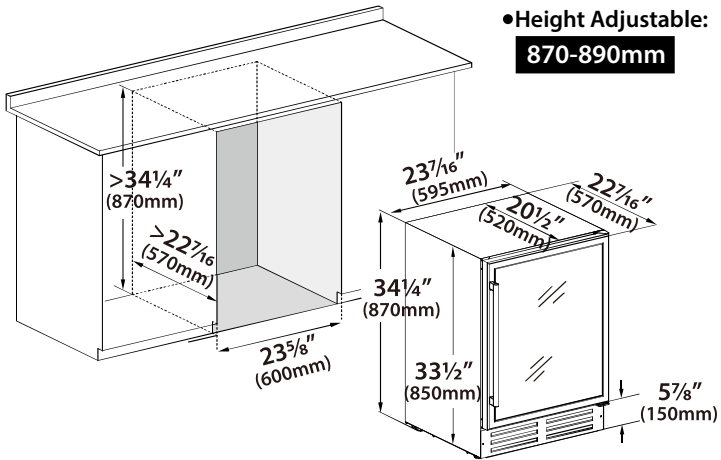
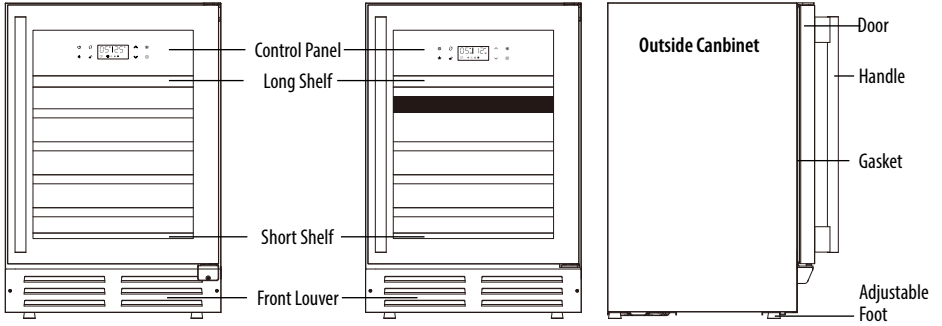


■ Single Zone **54** Bottles, Dual Zone **46** Bottles, Single & Dual Zone

Single Zone **54** Bottles

Dual Zone **46** Bottles

Single & Dual Zone

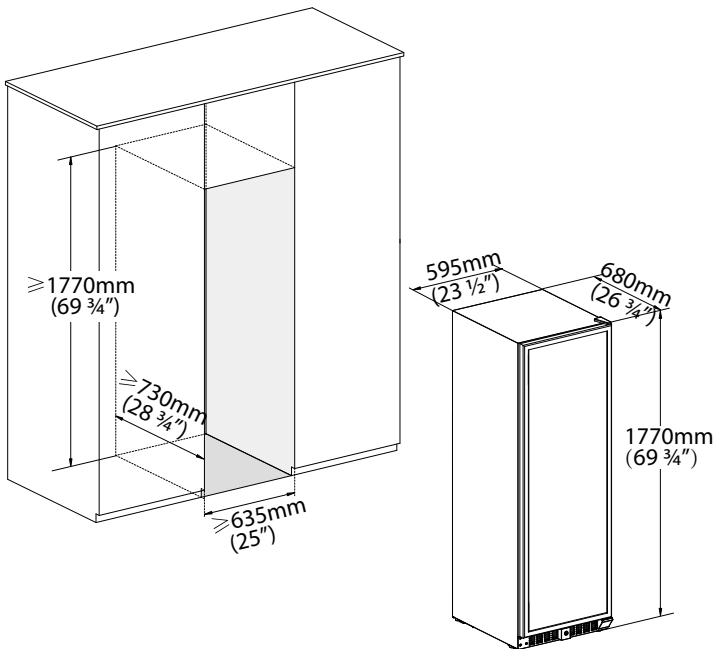
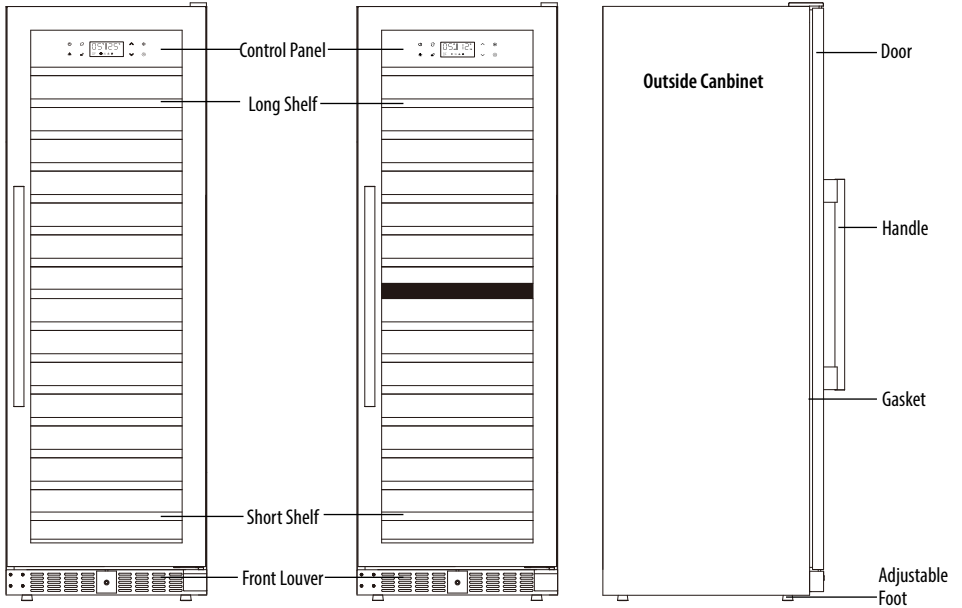


■ Single Zone **175** Bottles, Dual Zone **164** Bottles, Single & Dual Zone

Single Zone **175** Bottles

Dual Zone **164** Bottles

Single & Dual Zone

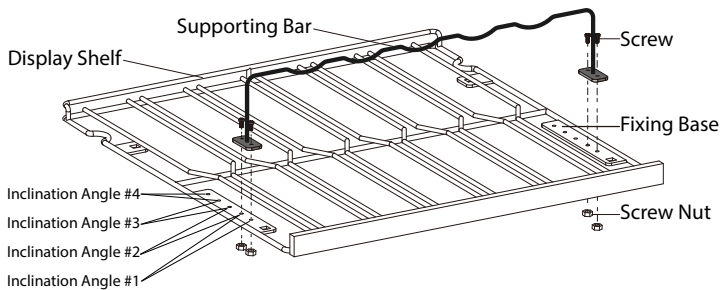


■ LOCK & UNLOCK THE DOOR (FOR OPTION)

- Lock is an optional function. If your Wine Cooler has such function, a key should be attached inside the packing of this Manual.
- Insert the key into the lock and turn it counter-clockwise to unlock the door. To lock it, please turn clockwise. Please save the key well.

■ DISPLAY SHELF (FOR OPTION)

If your Wine Cooler is equipped with a display shelf. To set it up, please screw the supporting bar to the fixing base of the display shelf (as image below). The supporting bar will an accessory packed with the unit.



OPERATING THE WINE COOLER

■ WORKING CLIMATE

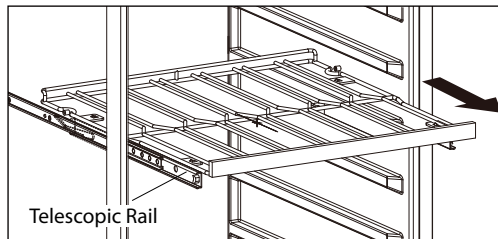
- The appliance is designed for operating from SN to N climate (see below climate class chart). It is recommended to maintain the ambient around 22-25°C which helps the appliance working with low power consumption.

Climate Class	Ambient Temperature
SN	10 - 32 °C (50°F-90°F)
N	16 - 32 °C (61°F-90°F)
ST	18 - 38 °C (64°F-100°F)
T	18 - 43 °C (64°F-109°F)

- If the ambient temperature is above or below the designed climate range, the performance of the unit may be affected. For example, the appliance operating in extreme cold or hot conditions may cause interior temperatures to fluctuate, and the temperature set **5-22°C** may not be reached sometimes.

■ WINE STORAGE

- The standard shelves are designed perfectly for Bordeaux bottle storage. The maximum loaded bottles may vary subject to the different size or dimension wine bottles you store.
- The shelves with telescopic rails can be pulled out for easy access to the wine storage,
--for 2-fold telescopic rails, max 40% can be pulled out;
--for 3-fold telescopic rails, max 70% can be pulled out.

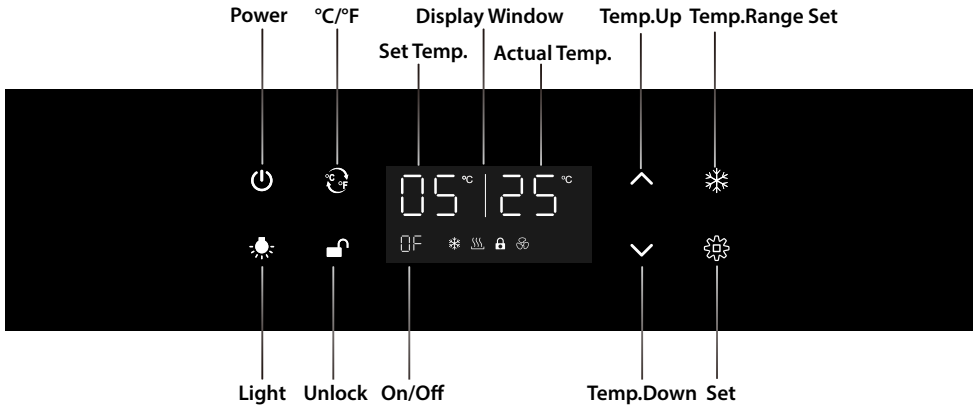


- To prevent damaging the door gasket, make sure to have the door opened fully all the way before pulling the shelves out.
- Please store wine in sealed bottles.
- Do not cover the shelves with aluminum foil or any other shelf material which may prevent air circulation.
- Should the wine cooler be left empty for long periods it is suggested that the appliance is unplugged, and after careful cleaning, leave the door ajar to allow air to circulate inside the cabinet in order to avoid possible condensation, mold or odours forming.
- Recommended temperatures for chilling/storing your wines.

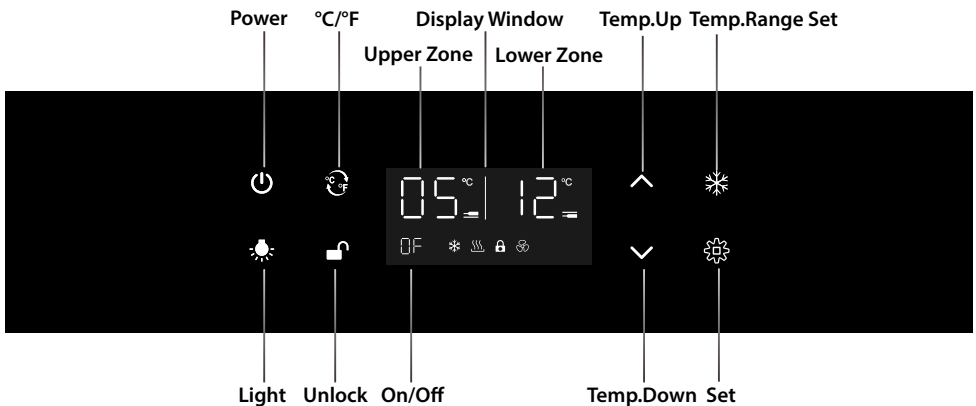
Wine Type	Recommender Temp.
Red Wines	15 - 18°C (59°F-64°F)
Dry/White Wines	9 - 14°C (48°F-57°F)
Rose Wines	10 - 11°C (50°F-52°F)
Sparkling Wines	5 - 8°C (41°F-46°F)

■ CONTROL PANEL

• For Single Zone



• For Dual Zone



■ POWER ON/OFF CONTROL



POWER

- Press to turn on the control panel back light buttons if they are off.
- To turn off your wine cellar for cleaning or extended absence, press the power button once. After the unit beeps once, hold the power button for **10 seconds** and your wine cellar will shut itself off. Once the wine cellar has been turned off, please allow at least **5 minutes** before starting up again. This will limit excessive wear on the compressor.



Warning!

- To avoid damaging the compressor, please do not turn on the appliance again within **5 minutes** after you turn it off.

■ UNLOCKING THE CONTROL PANEL



Unlock

- Press for 3 seconds to unlock the control panel.

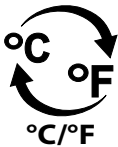
■ INTERIOR LIGHTING ON/OFF CONTROL



Light

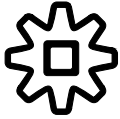
- In the unlocked state, for light brightness control, each time you press light button light, the lighting will be will be cycled from 100% to 75% to 50% to 25% to off.

■ SELECTING FAHRENHEIT(°F) & CELSIUS (°C) DISPLAY



- Press to alter the temperature display in Fahrenheit or Celsius.

■ TEMPERATURE SETTING



Set

For Single Zone

- The temperature setting range is 41-72 °F (5-22 °C)
- Press to set temperature. The digital flashes to inform the accessibility to adjust setting.

For Dual Zone

- Upper Zone: The temperature setting can be adjusted from 41°F to 54°F (5-12 °C)
- Lower Zone: The temperature setting can be adjusted from 46°F to 66°F (8-19 °C)
- Press to select Upper/Lower zone for setting temperature. The digital display flashes to inform the accessibility to adjust setting.



Temp.Up

- Press to increase setting temperature by 1°.



**Temp.
Down**

- Press to decrease setting temperature by 1°.



**Temp.
Range
Set**

- Press to change the temperature set-range among E, F, H, L, and leave it for **3 seconds** to confirm your option. Your wine cellar is originally set as "H", the ideal temperature for the storage of red wine.

Display	Temp.Range
E	5 - 22 °C (41°F-72°F)
F	2 - 20 °C (36°F-68°F)
H	10 - 19 °C (50°F-66°F)
L	0 - 20 °C (36°F-68°F)

Note:

The control panel will lock automatically when left untouched for **15 seconds**. Make sure to unlock the control panel before setting. With the exception of the power button, all other buttons' back light will turn off when the control panel is left untouched for **15 seconds**.

■ TEMPERATURE DISPLAY WINDOW

For Single Zone

05 °C

- Set temperature of the wine cellar.

25 °C

- Actual temperature of the wine cellar.

0N

- Display Window is on.

0F

- Display Window is Off



The temperature display will show the set temperature when the Wine Cooler control panel is unlocked and selected to be reset, and show the actual temperature when the control panel is locked.

For Dual Zone

05 °C

- Set temperature of Upper Zone

12 °C

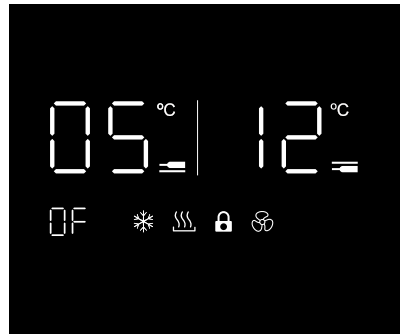
- Set temperature of Lower Zone

0N

- Display Window is on.

0F

- Display Window is Off



The display window can be set to the off position for a less obtrusive appearance. Your Wine Cooler will continue to run, but the Wine Coolers display window will not be visible. You can check the temperature of the Wine Cooler by pressing the **Power** button.

To set the display window to either on or off, press **°C/°F** button for **5 seconds** while the control panel is locked.

Once the ON/OF indicator flashes, press **°C/°F** a second time to enter into the option interface. "ON" will show the display window at all times while "OF" will turn off the display window. Leave the control panel untouched for **5 seconds** to confirm your option.

Note:

Temperatures may fluctuate depending on whether the interior light is ON or OFF and depending on the position of the bottles.

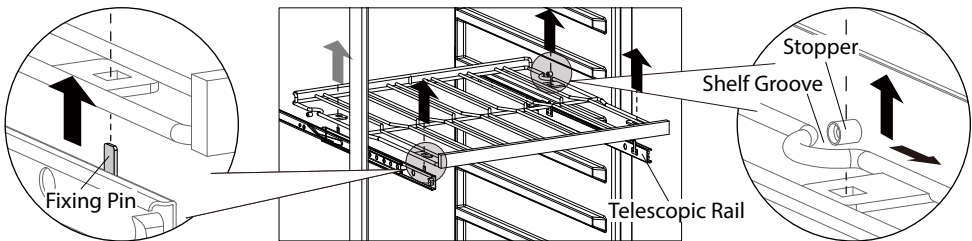
CARE AND MAINTENANCE

■ CLEANING THE WINE COOLER

- Turn off the power, unplug the appliance, and remove all items including shelves.
- Wipe the inside surfaces with a sponge and baking soda solution. The solution should be about 2 tablespoons of baking soda to 1 quart (approx. 1 litre) of warm water.
- Wash the shelves with a mild detergent solution. Allow wooden shelves to dry before placing back into the wine cooler.
- Wring excess water out of the sponge or cloth when cleaning area of the controls, or any electrical parts.
- Wipe the outside cabinet with warm water and mild liquid detergent. Wipe dry with a clean soft cloth.
- Do not use steel wool or steel brush on the stainless steel. These will scratch the stainless steel with steel particles and rusting may occur.

■ REMOVING THE SHELVES WF-46DS & WF-164DS

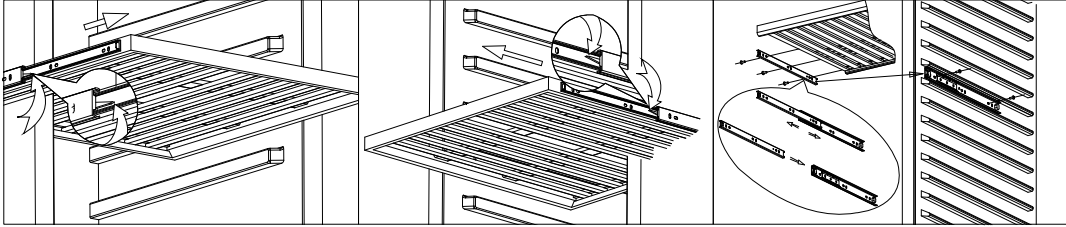
- Before removing a telescopic shelf from the appliance, it is necessary to remove all the bottles on the Shelf ;
- Pull out the shelf to align the shelf grooves to the stoppers fixed on the inside cabinet;
- Push upward the shelf from the telescopic rails and remove it carefully.



■ WINE STORAGE WF-32DS

- To ensure that the wine continues to mature quietly and calmly during its storage period, the wine cabinet is equipped with professional tiered shelves that can be pulled out to avoid the resonance of stacked bottles and to ensure smooth airflow inside the cabinet.
- The method of assembling and disassembling the shelves is as follow:

- Take out all the wines
- Pull out the shelf to the maximum distance
- Lift the toggle on the left rail upwards and leave it there, at the same time press the toggle on the right rail downwards and leave it there, then pull out the shelf at the same time.(see picture below)
- To put the shelf back on, follow step 3 and push the shelf in firmly against the rails.



- To prevent damaging the door gasket, make sure to have the door opened fully all the way before pulling the shelves out.

■ POWER FAILURE

Most power failures are corrected within a few hours and should not affect the temperature of your appliance if you minimize the number of door openings. If the power is going to be off for a longer period of time, you need to take the proper steps to protect your wines.

■ MOVING THE WINE COOLER

- Remove all items.
- Securely tape down all loose items (shelves) inside your appliance.
- Turn the adjustable leg up to the base to avoid damage.
- Tape the door shut.
- Be sure the appliance stays secure in the upright position during transportation. Also protect outside of appliance with a blanket, or similar item.

■ ENERGY SAVING TIPS

- The appliance should be located away from heat producing appliances, and away from direct sunlight.
- Ensure that the unit is adequately ventilated. Never cover air vents.
- Only open the door when necessary. Avoid leaving the door open for long periods or opening/closing the door frequently.

TROUBLESHOOTING

If you feel the appliance is not working properly, follow these instructions to try to see if you can solve the problem simply by yourself before calling for service.

No.	PROBLEM	PROBLEM POSSIBLE CAUSE / MEASURE
1	The wine cooler does not operate	Not plugged in. The appliance is turned off. The circuit breaker tripped or a blown fuse.
2	The wine cooler is not cold enough	Check the temperature control setting. External environment may require a higher setting. The door is opened too frequently. The door is not closed completely. The door gasket does not seal properly.
3	Automatically turn-on and turn-off frequently	The room temperature is hotter than normal. A large amount of contents has been added to the wine cooler. The door is opened too frequently. The door is not closed completely. The temperature control is not set correctly. The door gasket does not seal properly.
4	The lighting does not work	Not plugged in. The circuit breaker tripped or a blown fuse. The lighting is turned off.
5	Too much vibration	Check to assure that the appliance is level. Check to assure no parts inside the cabinet or in the compressor chamber are loose.
6	The wine cooler seems to make too much noise	The rattling noise may come from the flow of the refrigerant, which is normal. As each cycle ends, you may hear gurgling sounds caused by the flow of refrigerant. Contraction and expansion of the inside walls may cause popping and crackling noises. The appliance is not level.
7	The door will not close properly.	The wine cooler is not level. The door was reversed and not properly installed. The gasket is dirty. The shelves are out of position.
8	The display window is shown with "HH" or "LL" instead of a digital figure, and/or with continuous buzz sound.	The temperature probe is out of order.

CUSTOMER CARE

If you should ever have questions or require service, training, spare parts or additional manuals of this wine cooler, please contact KitchenWare Station Customer Service Department.

KitchenWare Station, LLC

13732 Milroy Pl

Santa Fe Springs, CA 90670

Toll Free: 1-888-505-3698 (Monday – Friday 10:00am – 5pm PST)

Email: Customerservice@kitchenwarestation.com

Official Website: <http://www.kitchenwarestation.com>

NOTE: Spare Parts can be purchased directly on KitchenWare Station official website or contact customer service department if part not found.



LIMITED WARRANTY

Thank you for purchasing KitchenWare Station's product. This wine cooler was tested and meets our stringent quality standards. This product is warranted to be free from manufacturing defects under normal/ proper use and conditions for 1 year.

To register your warranty for this product, complete the warranty registration form provided in the package, and send it back to us. Or register online by visiting www.kitchenwarestation.com/registration.

If you experience unsatisfactory operation, first refer to the troubleshooting section in the manual to ensure that it is not due to care or cleaning.

If you have any questions or comments, please do not hesitate to Email our customer service team: customerservice@kitchenwarestation.com. Please specify the model number and order ID so our customer service department can assist you.

KitchenWare Station's obligation and liability under this warranty is expressly limited to providing parts for equipment that proves to be manufacturing defects under normal/ proper use within the applicable warranty period.

This warranty does not apply to defects due directly or indirectly to fire, water, burglary, misuse, abuse, negligence, accidents, repairs, alterations, lack of maintenance, punitive damages, loss of use, down time, lost profit, improper installation by unauthorized persons, low voltage conditions, inadequate wiring or normal wear and tear. Defects mentioned above are not manufacturing defects and are strictly the responsibility of the purchaser. Under no circumstances will KitchenWare Station be liable for incidental or consequential damages resulting from defective products. Seller shall in no event be liable for death, injuries to persons or property, or for incidental, contingent, special, or consequential damages arising from the use of our products.

Warranty valid only in the 48 contiguous United States plus the District of Columbia. KitchenWare Station reserves the right to change the price and specifications of the equipment and/ or material without notice. Prices are F.O.B plant of manufacture.

Any instructions or warranty included in this manual are based on the latest data available at the time of publication. KitchenWare Station reserves the right to make changes or improvements at any time without notice. For the most up to date instructions and warranty information, please visit our official website.

To receive warranty instructions and return authorization, please email KitchenWare Station Customer Service.

For more information regarding warranty and limitation, please visit www.kitchenwarestation.com/warranty-information/

